

## 45° conical branch pieces, galvanised

Diameter A: ø100 - ø1000 mm.

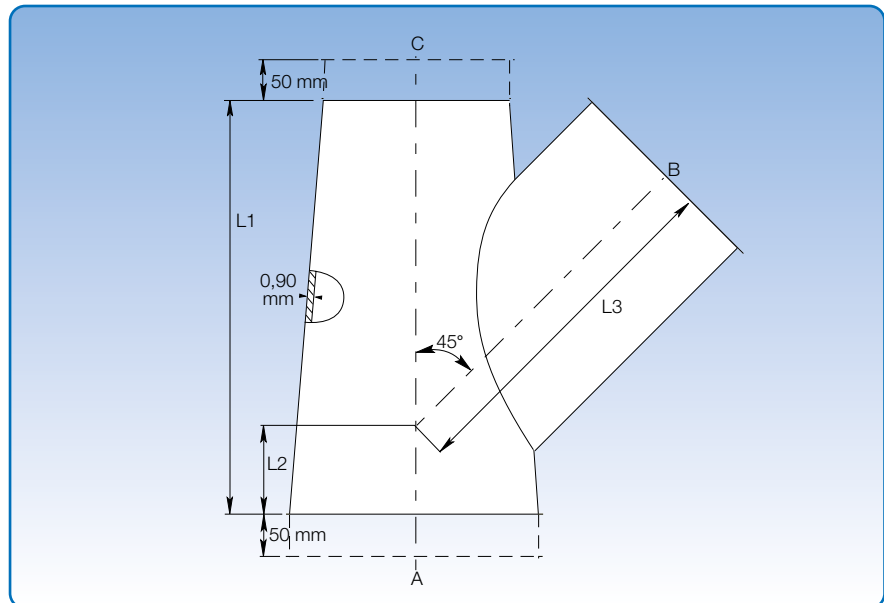
Galvanised branch pieces are made of 0.90 mm sheet metal.

L1 will be extended by 2 x 50 mm if the branch piece is supplied with loose flanges [f.b.m.fl], rapid lock pull rings [f.lyn] or wide pull rings [f.bb].

State branch piece A-, B- and C dimensions when ordering. A, B and C can be combined to order; although branch B determines length L1 as stated in the table.

Maximum diameter reduction between A and C is 200 mm. For B applies:  $B < (A+C)/2$ .

The largest branch will determine L1 for double branch pieces.



### Calculating L2 and L3:

L1 = See table

$$L2 = \left( \frac{L1}{2} \right) - \left( \frac{A+C}{4 \cdot \text{tg} \alpha} \right)$$

$$L3 = \left( \frac{L1-L2}{\cos \alpha} \right) - \left( \frac{B}{2} \times \text{tg} \alpha \right)$$

### Example:

A = 500, B = 300, C = 350

L1 = 600 mm

$$L2 = \frac{600}{2} - \left( \frac{500+350}{4 \times \text{tg} 44,6} \right) = 300 - 215,49$$

L2 = 84,51 p 85 mm

$$L3 = \frac{600 - 85}{\cos 44,6} - \left( \frac{300}{2} \times \text{tg} 44,6 \right) = 723,29 - 149,92$$

L3 = 573,37 p 575 mm

Dimensions						
A mm	B mm	C mm	L1 mm	L2 mm	L3 mm	α
	80		300			43,8
	100		300			43,8
	120		350			44,0
	125		350			44,0
	140		350			44,1
	150		400			44,2
	160		400			44,2
	180		400			44,3
	200		450			44,4
Select (100 - 1000)	225	Select (100 - 1000)	500			44,5
	250		500			44,5
	275		600			44,6
	300		600	Calculate	Calculate	44,6
	315		600			44,6
	350		700			44,7
	400		800			44,7
	450		950			44,7
	500		1050			44,8
	550		1150			44,8
600	1150			44,8		
630	1150			44,8		
650	1150			44,8		
700	1300			44,8		
750	1300			44,8		
800	1450			44,9		
850	1450			44,9		
900	1650			44,9		