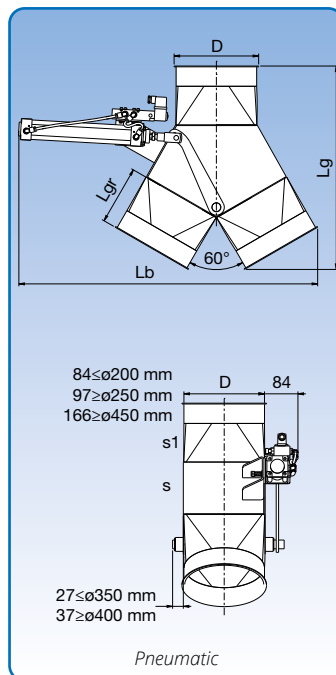
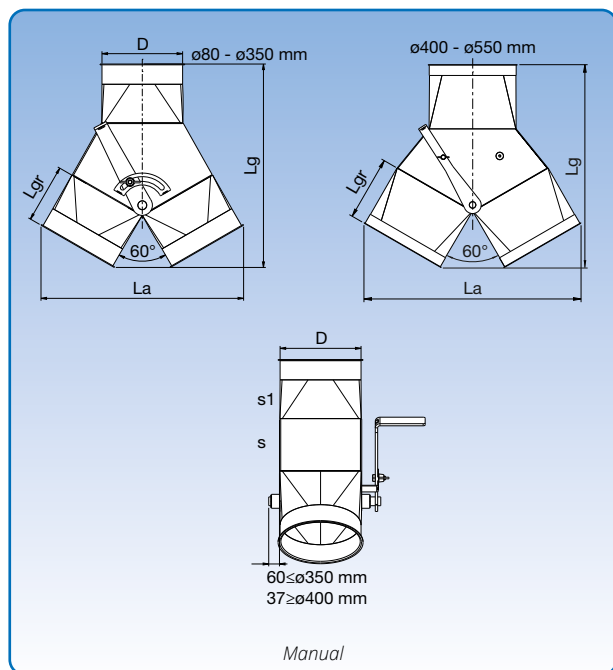


60° trouser diverters, welded, manual and pneumatic



Dimensional specifications are given in the table below.

General

Diameter: ø80 - ø400 mm.

Designed for falling and pneumatic transport.

Available with rubber gasket on damper plate for pneumatic transport.

Damper suspended on nylon bearings.

With pneumatic actuator

The damper is turned by a pneumatic cylinder controlled by an electrically-operated valve. Solenoid valve: monostable 5/2 valve with 1 x 230 V AC - 50/60 Hz electric coil or 24 V DC. Pneumatic pressure: 4-6 bar. Valve setting indicators are available as an optional extra.

Dimensions

Item no. (Man.)	Item no. (Pneu.)	D mm	s mm	s1 mm	Damper plate mm	Lg mm	La mm	Lb mm	Lc mm	Lgr mm	Weight (Man.) kg	Weight (Pneu.) kg
1700017	1740967	80*	3,00	2,00	4,00	335	308	423		105	3,6	5,6
1700067	1740067	100	3,00	2,00	4,00	335	308	423	449	105	4,0	5,9
1701067	1741067	120*	3,00	2,00	4,00	362	353	470		110	4,3	6,2
1702067	1742067	125	3,00	2,00	4,00	362	353	470		110	5,4	7,3
1702167	1742967	140*	3,00	2,00	5,00	465	426	630	530	145	7,8	10,6
1703067	1743067	150	3,00	2,00	5,00	465	426	630	530	145	8,0	10,7
1704067	1744067	160	3,00	2,00	5,00	465	426	630	530	145	8,1	10,9
1705067	1745067	180*	3,00	2,00	5,00	512	510	753	562	145	11,5	14,5
1706067	1746067	200	3,00	2,00	5,00	512	510	753	562	145	12,0	15,0
1707067	1747067	250	3,00	2,00	5,00	770	703	854	703	250	23,6	27,7
1708067	1747367	300	3,00	2,00	5,00	818	786	942	787	250	30,2	33,5
1708567	1747567	315*	3,00	2,00	6,00	873	876	991	925	250	38,1	39,7
1709067	1747667	350	3,00	2,00	6,00	873	876	991	925	250	38,7	39,9
1709267	1747967	400	3,00	2,00	6,00	943	1008	1040	1008	295	48,8	52,0

The item numbers stated are for trouser diverters assembled using pull rings (f.b).

Branch diverters are also available for other assembly methods. See p. 7 for assembly methods.

* Diverter delivered with rubber gasket Lg+50 mm extra.