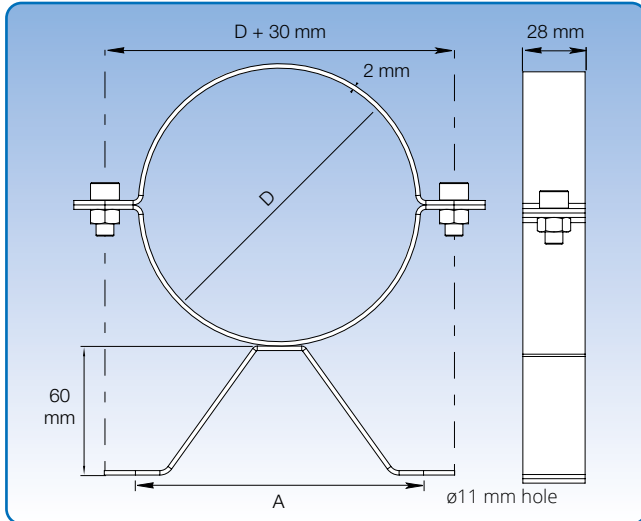


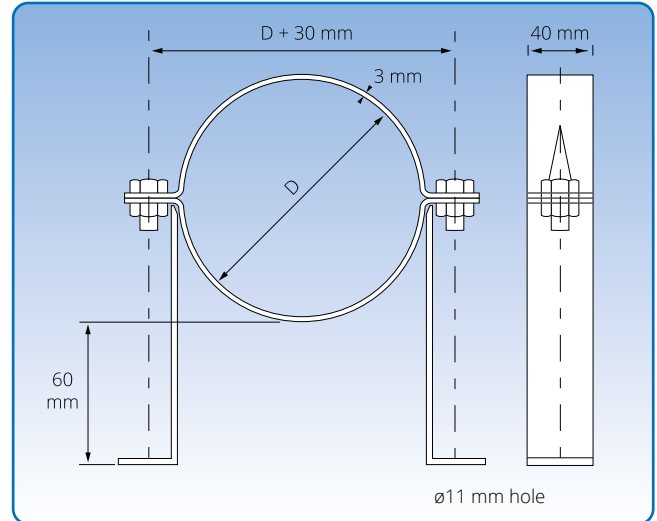
Clip bands, stainless steel



Diameter: $\varnothing 80 - \varnothing 300$ mm.

Clip bands are supplied for mounting of duct systems. 3 different mounting principles are available: as shown, wall mounted and hanging.

Recommended distance between clip bands: 1 clip band to every other duct assembly.



Diameter: $\varnothing 350 - \varnothing 400$ mm.

Clip bands are supplied for mounting of duct systems. 3 different mounting principles are available: as shown, wall mounted and hanging.

Recommended distance between clip bands: 1 clip band to every other duct assembly.

s = 2 mm			
Item no. without legs	D mm	A mm	Weight kg
4670285	80	132	0,20
4671285	100	132	0,21
4672285	120	132	0,25
4673285	125	132	0,27
4674285	140	132	0,28
4675285	150	132	0,29
4676285	160	132	0,31
4677285	175	210	0,33
4677290	180	210	0,34
4678285	200	210	0,36
4679285	224	210	0,39
4680285	250	210	0,43
4681285	300	210	0,50
4682285	315	210	0,62

s = 3 mm			
Item no. without legs	D mm	A mm	Weight kg
4683285	350	399	1,15
4684285	400	679	1,30
4685285	450	499	2,01
4686285	500	549	2,27
4687285	550	599	2,33
4688285	600	649	2,42
4689285	630	679	2,51
4690285	650	699	3,64
4691285	700	749	3,88
4692285	750	799	4,09
4693285	800	849	4,31