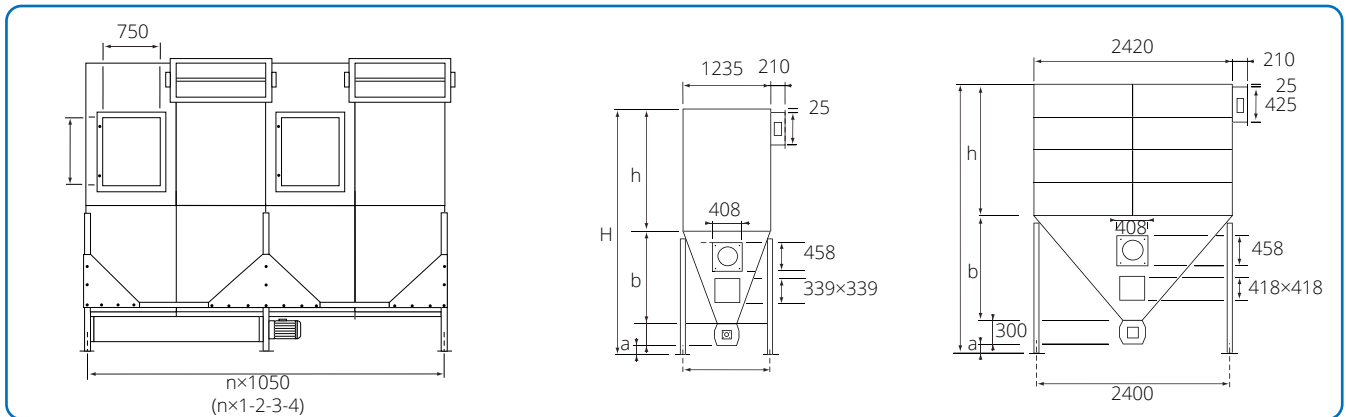
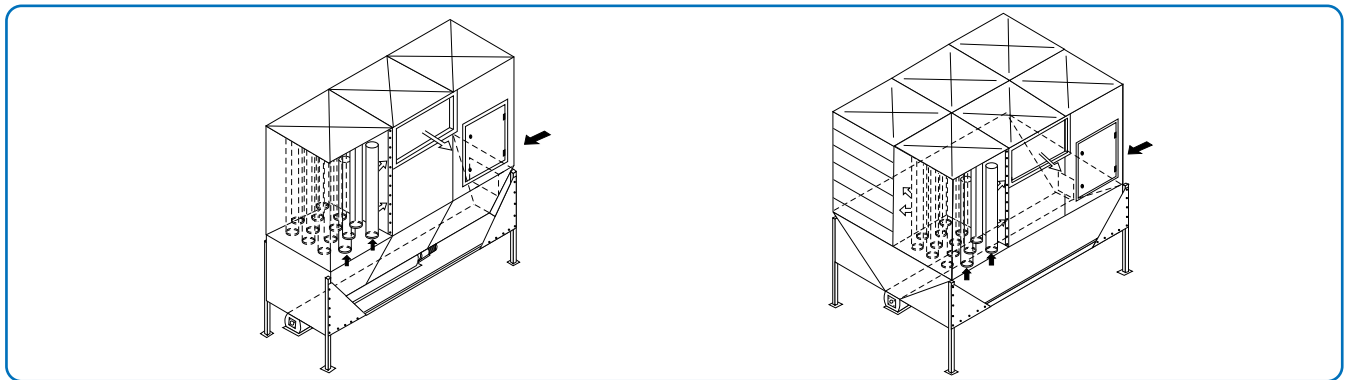


Rotor filter type HL-HLD



The drawing above shows single and double filters. Measurement specifications are stated in the table at the bottom of the page.



Rotor filter type HL and double rotor filter type HLD.

Rotor filter type HL - HLD is used for installation on silo tops, above containers, or wherever the transport of chips to a refuse depot is required using a ring pipe.

The filter can be emptied using a rotary valve, the size of which is governed by requirement.

Supply air enters at the end of the filter opposite the rotary valve, or in the air supply chamber.

Type	Dimensions				Bag length mm	Filter area m ² per module	Weight per module kg
	a mm	b mm	h mm	H mm			
M - HL	100	1340	1650	3390	1580	15.5	225
M - HL	350	1340	1650	3640	1580	15.5	230
H - HL	100	1340	2100	3840	2030	20.0	240
H - HL	350	1340	2100	4090	2030	20.0	245
E - HL	100	1340	2550	4290	2480	24.5	255
E - HL	350	1340	2550	4540	2480	24.5	260
M - HLD	100	1860	1650	3910	1580	31.0	305
M - HLD	350	1860	1650	4160	1580	31.0	305
H - HLD	100	1860	2100	4360	2030	40.0	325
H - HLD	350	1860	2100	4610	2030	40.0	325
E - HLD	100	1860	2550	4810	2480	49.0	345
E - HLD	350	1860	2550	5060	2480	49.0	345