

## 30° conical branch pieces, galvanised

Diameter A: ø100 - ø1000 mm.

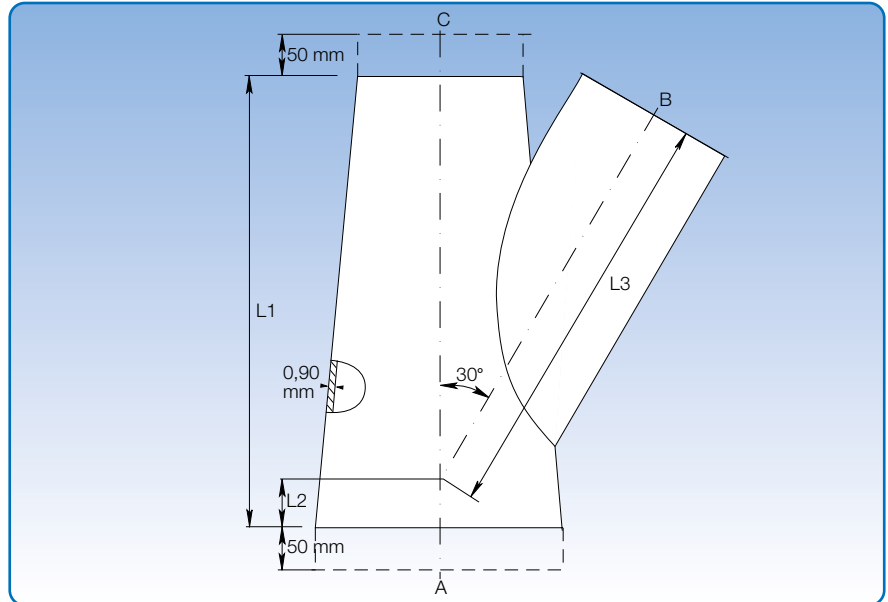
Galvanised branch pieces are made of 0.90 mm sheet metal.

L1 will be extended by 2 x 50 mm if the branch piece is supplied with loose flanges [f.b.m.fl], rapid lock pull rings [f.lyn] or wide pull rings [f.bb].

State branch piece A, B- and C dimensions when ordering. A, B and C can be combined to order; although branch B determines length L1 as stated in the table.

Maximum diameter reduction between A and C is 200 mm. For B applies:  $B < (A+C)/2$ .

The largest branch will determine L1 for double branch pieces.



### Calculating L2 and L3:

L1 = See table

$$L2 = \left( \frac{L1}{2} \right) - \left( \frac{A+C}{4 \times \text{tg} \alpha} \right)$$

$$L3 = \left( \frac{L1-L2}{\cos \alpha} \right) - \left( \frac{B}{2} \times \text{tg} \alpha \right)$$

### Example:

A = 650, B = 500, C = 450

L1 = 1250 mm

$$L2 = \frac{1250}{2} - \left( \frac{650+450}{4 \times \text{tg} 29,7} \right) = 625 - 476,31$$

L2 = 142,87 p 143 mm

$$L3 = \frac{1250 - 143}{\cos 29,7} - \left( \frac{500}{2} \times \text{tg} 29,7 \right) = 1274,42 - 142,60$$

L3 = 1131,82 p 1132 mm

Dimensions						
A mm	B mm	C mm	L1 mm	L2 mm	L3 mm	α
	80		350			28,0
	100		350			28,8
	120		350			28,8
	125		400			29,0
	140		450			29,1
	150		450			29,2
	160		450			29,2
	180		550			29,3
	200		550			29,3
Select (100 - 1000)	225	Select (100 - 1000)	600			29,4
	250		750			29,5
	275		750	Calculate	Calculate	29,6
	300		750			29,6
	315		850			29,6
	350		950			29,6
	400		1050			29,7
	450		1250			29,7
	500		1250			29,7
	550		1250			29,8
600	1450			29,8		
630	1650			29,8		
650	1650			29,8		
700	1650			29,8		
750	1850			29,9		
800	1850			29,9		
850	2050			29,9		
900	2050			29,9		