

## 30° straight branch pieces, galvanised

Diameter: ø80 – ø1000 mm.

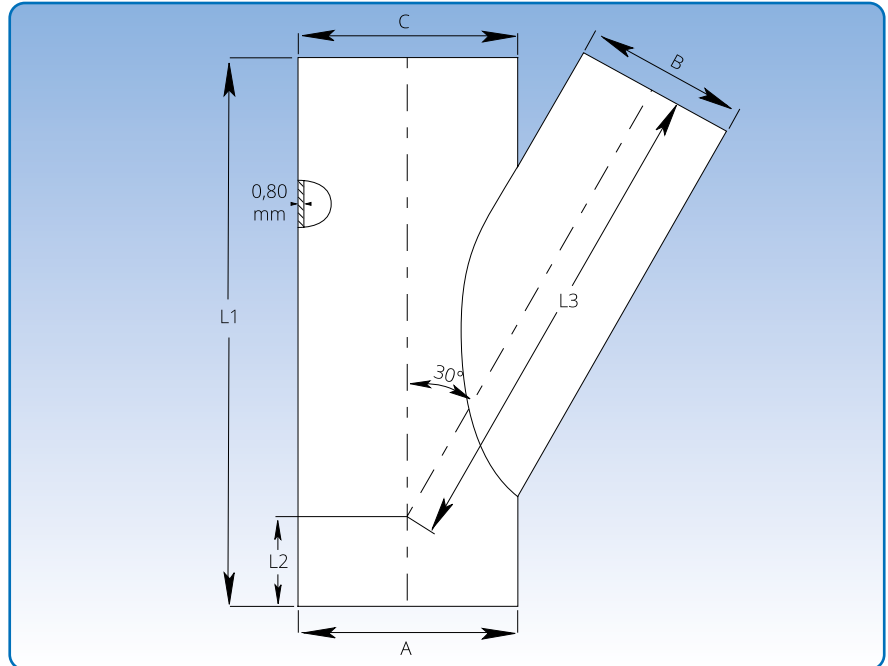
Galvanised branch pieces are made of 0.90 mm sheet metal.

When assembled with loose flanges, [f.b.m.fl], L1 is extended by 2 x 50 mm.

State A-, B- and C dimensions when ordering.  
Options are limited by  $A = C$ , and  $A \geq B$ .  
 $A = C$  must be max. 1000 mm.

The branch determines the length of L1.  
Branch pieces are always straight with the branch centrally located.

L1, L2 and L3 can be calculated using the stated formulas.



### Calculating L2 and L3:

L1 = see table

$$L2 = \frac{1}{2} \times \left( L1 - \frac{A}{\text{tg}} \right)$$

$$L3 = \left( \frac{L1 - L2}{\cos 2} \right) \times \text{tg} \frac{B}{2}$$

### Example:

A = 650, B = 400, C = 650

L1 = 1050 mm

$$L2 = 0,5 \times \left( 1050 - \frac{650}{\text{tg } 29,7} \right) = 0,5 \times (1050 - 1139,57)$$

L2 = -44,79 p -45 mm

$$L3 = \frac{1050 + 45}{\cos 29,7} \cdot \left( \frac{400}{2} \times \text{tg } 29,7 \right) = 1260,60 - 114,08$$

L3 = 1146,52 p 1147 mm

Dimensions					
A = C mm	B mm	L1 mm	L2 mm	L3 mm	∞
	80	350			28,0
	100	350			28,8
	120	350			28,8
	125	400			29,0
	140	450			29,1
	150	450			29,2
	160	450			29,2
	180	550			29,3
	200	550			29,3
	225	600			29,4
	250	750			29,5
	275	750			29,6
	300	750			29,6
	315	850			29,6
	350	950			29,6
	400	1050			29,7
	450	1250			29,7
	500	1250			29,7
	550	1450			29,8
	600	1450			29,8
	630	1650			29,8
	650	1650			29,8
	700	1650			29,8
	750	1850			29,9
	800	1850			29,9
	850	2050			29,9
	900	2050			29,9
Select (80 - 1000)			Calculate	Calculate	