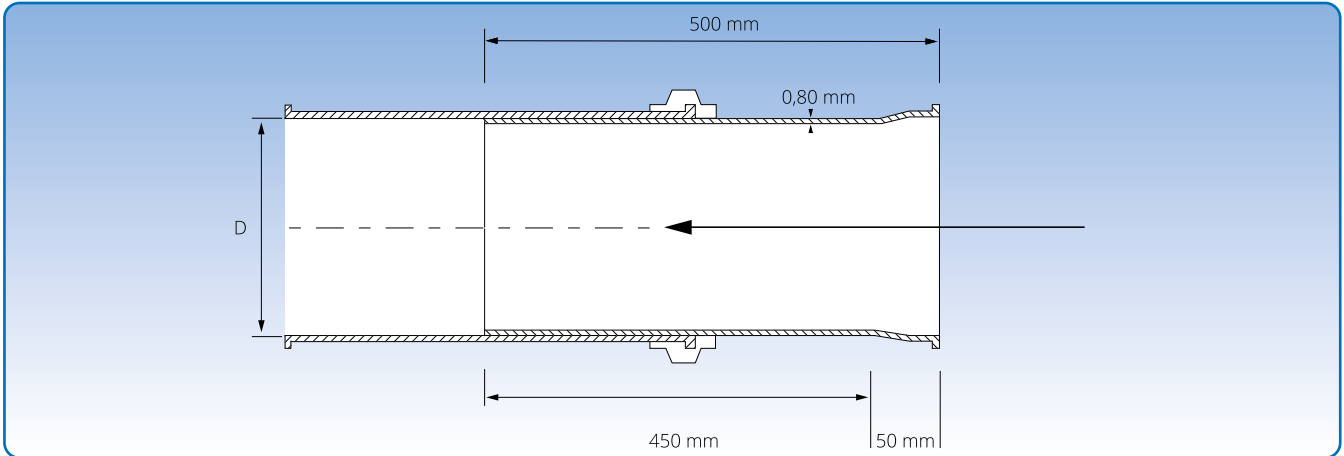


Telescopic ducts, galvanised



Dimensional specifications are given in the table below.
Outer pipe not included

Diameter: $\varnothing 80$ - $\varnothing 500$ mm.

Telescopic ducts are made from 0.75 mm and 0.90 mm galvanised sheet metal and supplied with rapid lock pull rings, incl. rubber seal.

Item no.	Dimensions		Weight kg
	D mm	s mm	
1099389	80	0,75	0,99
1099394	100	0,75	1,20
1099401	120	0,75	1,39
1099411	125	0,75	1,45
1099421	140	0,75	1,60
1099431	150	0,75	1,70
1099441	160	0,75	1,80
1099451	180	0,75	2,07
1099461	200	0,75	2,29
1099471	225	0,75	2,53
1099481	250	0,75	2,78
1099491	275	0,75	3,07
1099501	300	0,75	3,37
1099511	315	0,75	3,58
1099521	350	0,75	3,95
1099531	400	0,90	5,00
1099541	450	0,90	5,70
1099551	500	0,90	6,30

The item numbers stated are for telescopic ducts assembled using pull rings [f.b].

Telescopic ducts are also available for other assembly methods. See p. 6 for assembly methods.