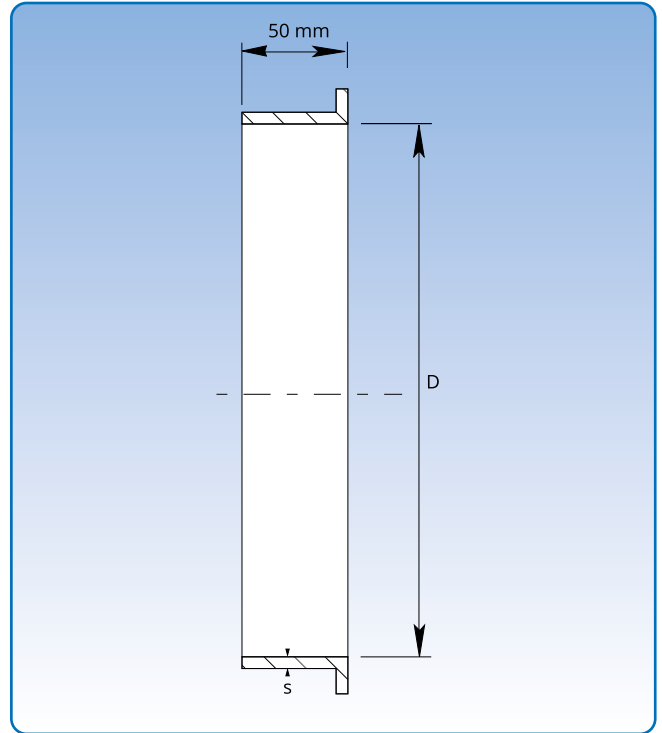


Welding ends, 2 and 3 mm

Diameter: $\varnothing 80 - \varnothing 400$ mm.

Welding ends are made of 2.00 and 3.00 mm sheet metal (s) and supplied untreated.



Dimensional specifications are given in the table below.

Dimensions						
D mm	Item no.	s = 2 mm	Weight kg	Item no.	s = 3 mm	Weight kg
80	1010700		0,22			
100	1011700		0,27			
120	1012700		0,33			
125	1013700		0,34			
140	1014700		0,38			
150	1015700		0,41	1015800		0,62
160	1016700		0,44	1016800		0,66
180	1017700		0,49	1017800		0,74
200	1018700		0,55	1018800		0,82
225	1019700		0,61	1019800		0,92
250	1020700		0,68	1020800		1,02
275	1020710		0,75	1021810		1,12
300	1021700		0,82	1021800		1,23
315	1022700		0,86	1022800		1,29
350	1023700		0,95	1023800		1,43
400	1024700		1,09	1024800		1,63

The item numbers stated are for welding ends assembled using pull rings [f.b].

Welding ends are also available for other assembly methods. See p. 7 for assembly methods.