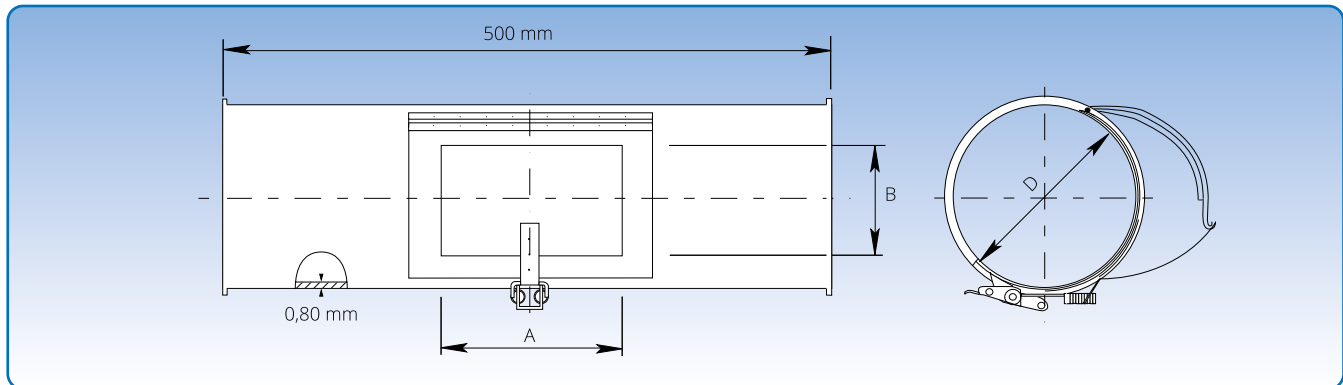


Ducts with access door, stainless steel



Dimensional specifications are given in the table below.

Diameter: ø80 - ø1000 mm.

Access doors are made of 0.80 mm and 1.00 mm sheet metal such that the inside is smooth and has a close fit.

Item no.	Dimensions		Weight kg
	D mm	B x A mm	
4670370	80	80 x 150	0,80
4671370	100	100 x 150	1,00
4672370	120	100 x 150	1,20
4673370	125	100 x 150	1,25
4674370	140	100 x 150	1,40
4675370	150	100 x 150	1,50
4676370	160	100 x 150	1,60
4677370	175	100 x 150	1,75
4677470	180	100 x 150	1,80
4678370	200	100 x 150	2,00
4679370	224	100 x 150	2,25
4680370	250	100 x 150	2,50
4681370	300	100 x 150	2,85
4682370	315	100 x 150	3,15
4683370	350	150 x 200	3,25
4684370	400	150 x 200	4,50
4685370	450	150 x 200	6,44
4686370	500	150 x 200	7,03
4687370	550	150 x 200	7,62
4688370	600	150 x 200	8,21
4689370	630	150 x 200	8,56
4690370	650	150 x 200	8,80
4691370	700	150 x 200	9,39
4692370	750	150 x 200	9,98
4693370	800	150 x 200	10,58
4694370	850	150 x 200	11,16
4695370	900	150 x 200	11,76
4696370	950	150 x 200	12,34
4697370	1000	150 x 200	12,92

The item numbers stated are for ducts with access door assembled using pull rings [f.b].

Ducts with access door are also available for other assembly methods. See p. 5 for assembly methods.