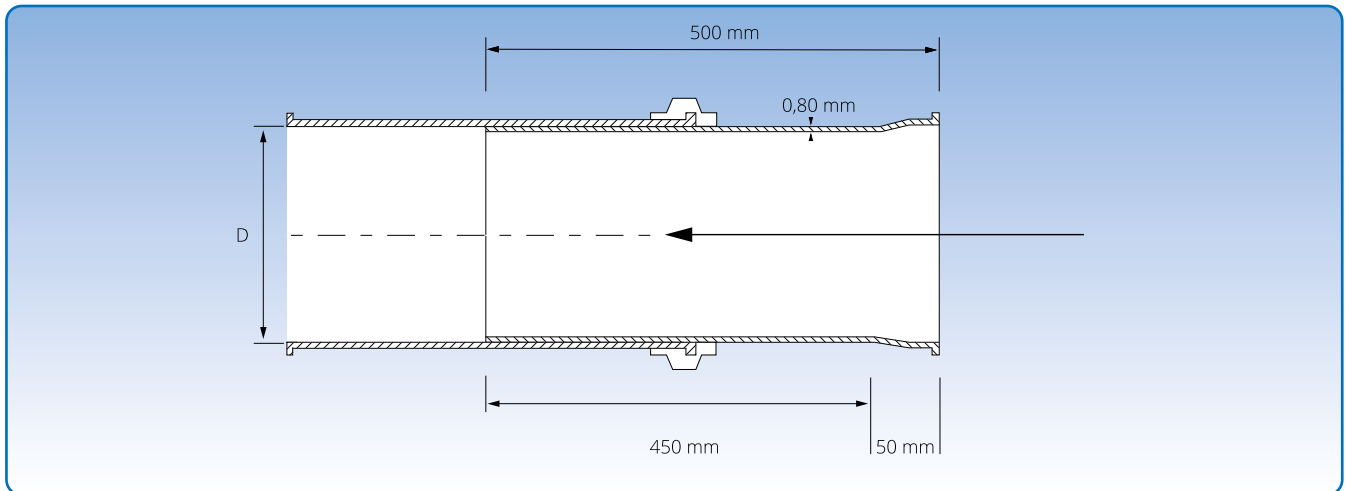


## Telescopic ducts, stainless steel



Dimensional specifications are given in the table below.

Diameter:  $\varnothing 100 - \varnothing 500$  mm.

Telescopic ducts are made of 0.80 mm sheet metal, and supplied with rapid lock pull ring, including rubber insert. Rapid lock pull rings are electro-galvanised.

Item no.	Dimensions		Weight kg
	D mm		
1099561	100		0,98
1099564	120		1,18
1099565	125		1,55
1099570	140		1,38
1099573	150		1,47
1099574	160		1,90
1099579	175		1,74
1099580	180		2,24
1099582	200		1,99
1099585	224		2,23
1099588	250		2,40
1099594	300		3,00
1099596	315		3,60
1099598	350		3,95
1099600	400		5,00
1099603	450		5,70
1099604	500		6,30

The item numbers stated are for telescopic ducts assembled using pull rings [f.b].

Telescopic ducts are also available for other assembly methods. See p. 5 for assembly methods.