

Fan types

JK-30MTDP - JK-40MTDP - JK-50MTDP

The direct drive centrifugal fan types JK-30MTDP, JK-40MTDP and JK-50MTDP are designed for material transport, e.g. wood chips and dust.

Equipped with backward-inclined blades and aerodynamic inlet spigot made from brass.

The impellers are statically and dynamically balanced.

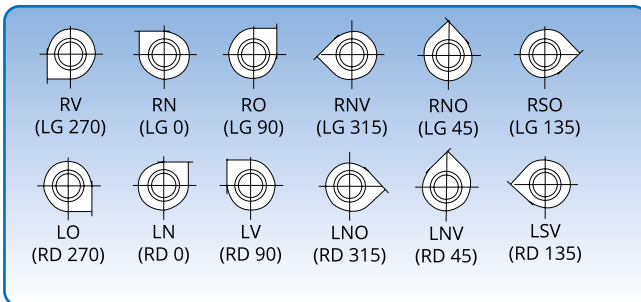
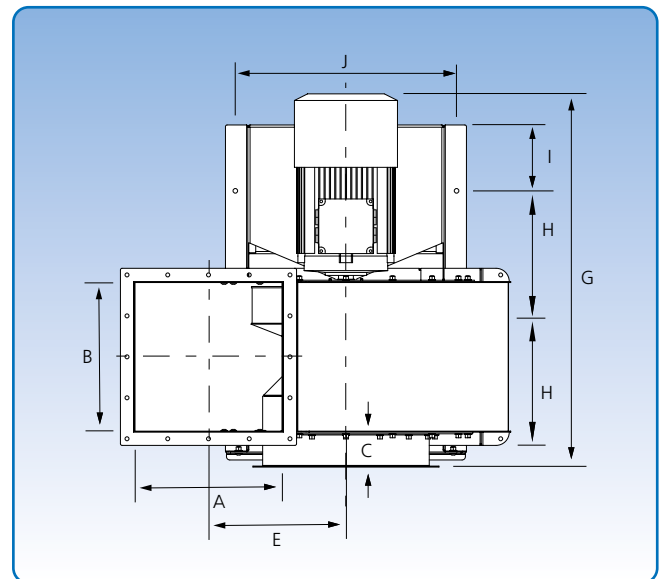
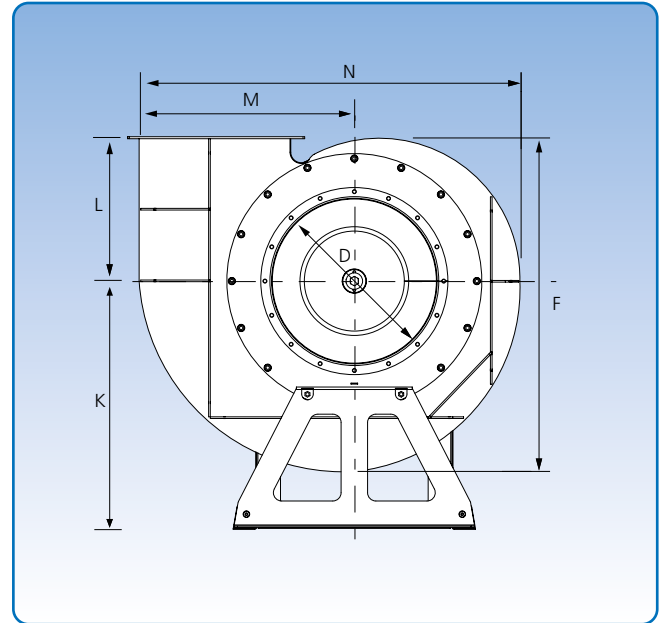
Normally, a frequency transformer is used to control the min^{-1} and the air volume of the fan.

Max. internal operating temperature: 60°C

The inlet (D) is supplied with flange as standard.

Specific dimensions for the outlet and inlet flanges can be found under "Flanges".

The technical data for each type appears on the following pages.



12 positions. The position illustrations are viewed from the inlet side.

| Dimensions | | | | | | | | | | | | | | | |
|------------|------|------|------|------|------|------|------|------|------|------|------|------|------|------|-------------------------|
| Type | A mm | B mm | C mm | D mm | E mm | F mm | G mm | H mm | I mm | J mm | K mm | L mm | M mm | N mm | Weight without motor kg |
| JK-30MTDP | 250 | 250 | 106 | 300 | 318 | 645 | 733 | 275 | 51 | 430 | 550 | 276 | 450 | 768 | 74 |
| JK-40MTDP | 350 | 350 | 106 | 400 | 368 | 779 | 903 | 370 | 49 | 550 | 650 | 326 | 550 | 1098 | 106 |
| JK-50MTDP | 450 | 450 | 106 | 500 | 416 | 1012 | 1128 | 370 | 199 | 672 | 750 | 436 | 643 | 1146 | 184 |